

QUICK SPECS

Weight	21,550 lbs
Horsepower	72 HP
Max Dig Depth	15' 9"

King of the 10-ton class in a nimble package.

YANMAR's SV100-2A, our 10-ton class mini excavator, is powered by a 72 HP Tier 4 Final YANMAR engine. It is our largest, most powerful ultra-tight tail mini excavator and comes with emissions control combined with fuel efficiency. The SV100-2A comes standard with 2nd PTO and is packed with several convenient functions and features to provide operator comfort, ease of operation and easy maintenance. Plus, YANMAR's unique SmartAssist Remote gives you peace of mind with theft prevention, maintenance management and operational status management tools, as well as other remote monitoring services.

INNOVATIVE FEATURES



YANMAR's Patented Hydraulic Quick Coupler

The standard hydraulic Quick Coupler makes changing buckets fast and easy. With the exception of fitting and removing the safety lock pin, the entire operation is performed electronically while you're seated in the comfort of the cab. Less hassle. Less downtime. More productivity.



Everything Right At Your Fingertips

The SV100-2A comes standard with ECO Mode, Auto-Decel Mode, lever-controlled backfill blade and 2-speed operation incorporated right into the operator's station. Plus you get an innovative LCD monitor, showing key operating information and maintenance notification intervals.



A Cab Almost As Comfortable As Your Living Room

The spacious SV100-2A cab is designed for ample elbow and leg room. The powerful standard equipment heating and air conditioning system means you can work comfortably year round. And the innovative ROPS/FOPS systems mean you never have to sacrifice comfort for safety.



SV100-2A

POWERFUL, EFFICIENT
72 HP TIER 4 FINAL
YANMAR DIESEL ENGINE

VIO PROGRESSIVE
3-PUMP HYDRAULIC
SYSTEM (VIPPS)

ULTRA-TIGHT TURNING
FOR CONFINED SPACES

JOYSTICK PILOT
CONTROLS WITH
CONTROL PATTERN
CHANGE STANDARD

SPRING STEEL
CYLINDER ROD
GUARDS AND HOSE
PROTECTION ON
BOOM AND BLADE
CYLINDERS

INTEGRATED BOOM
LIGHT PROTECTS
FROM DAMAGE

ECO & AUTO-DECEL
MODE STANDARD

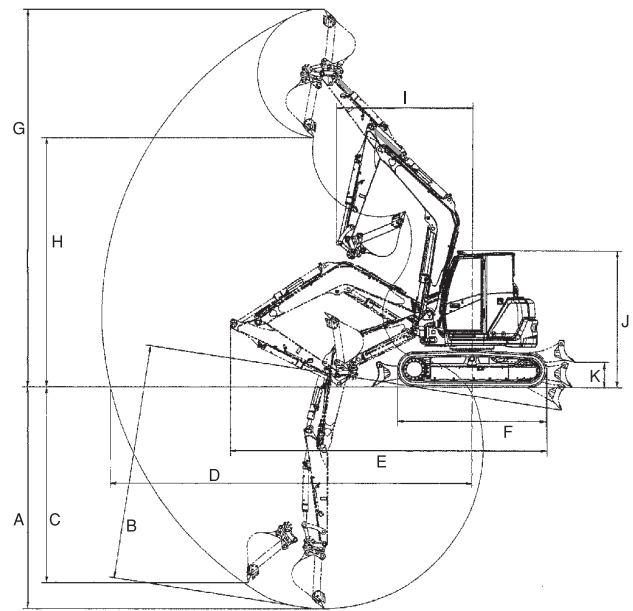
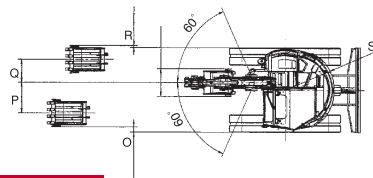
ANGLED CRAWLER
FRAME REDUCES
FOREIGN MATTER
BUILD-UP

AUTOMATIC SHIFTING
2-SPEED TRAVEL

STANDARD PTO2
CIRCUIT

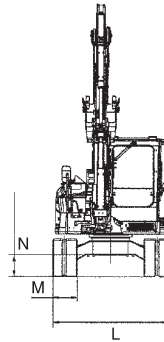


SV100-2A



Dimensions - SV100-2A

A 14 ft. 10 in. (4,530 mm)	K 1 ft. 8 in. (520 mm)
B 15 ft. 9 in. (4,810 mm)	L 7 ft. 7 in. (2,320 mm)
C 13 ft. 2 in. (4,010 mm)	M 1 ft. 7 in. (485 mm)
D 24 ft. 3 in. (7,400 mm)	N 1 ft. 6 in. (450 mm)
E 21 ft. 4 in. (6,490 mm)	O 5 in. (120 mm)
F 10 ft. 1 in. (3,070 mm)	P 2 ft. 9 in. (835 mm)
G 25 ft. 4 in. (7,730 mm)	Q 2 ft. 1 in. (635 mm)
H 16 ft. 10 in. (5,120 mm)	R 3 in. (80 mm)
I 9 ft. 2 in. (2,790 mm)	S 4 ft. 4 in. (1,330 mm)
J 9 ft. 3 in. (2,810 mm)	



Specifications

Model		SV100-2A	
		Cab. Rubber Track	Cab. Steel Track
Type		-	
Operating Weight		lbs (t)	21,550 (9.78) / 21,660 (9.83)
Engine		-	
Type		Water-cooled 4-cylinder diesel	
Model		4TNV98CT-VBV	
Output	HP (kW)/rpm	72 (53.7) / 2,100	
Performance		-	
Max Digging Force, Bucket / Arm	lbs (kN)	15,388 (76.0)* / 10,296 (45.8)*	
Traveling Speed, High / Low	MPH (km / h)	2.7 (4.4) / 1.6 (2.5) / 2.5 (4.0) / 1.4 (2.2)	
Swing Speed	RPM	9.1	
Boom Swing Angle, (L / R)	degrees	60° / 60°	
Gradability	degrees	30°	
Ground Contact Pressure		PSI (kPa)	5.5 (37.9) / 5.6 (38.8)
Hydraulic System		-	
Pump Capacity	GPM (L / min)	20.5 + 20.5 + 15.2 + 5.3 (77.7 + 77.7 + 57.5 + 20)	
Main Relief Set Pressure	PSI (MPa)	3,988 + 3,988 + 3,481 + 421 (27.5 + 27.5 + 24.0 + 2.9)	
Blade Dimensions		-	
Width x Height	ft-in (mm)	7'7" (2,320)	
Stroke, Raise / Lower from G.L.	ft-in (mm)	1'8" (520) / 1'6" (460)	
Fuel tank capacity		Gals (L)	30.3 (115)

*without quick coupler

Standard Equipment

- Hydraulic Quick Coupler*
- Blade
- Boom Swing Function
- Rubber Tracks
- Arm End Auxiliary Valve
- Antenna and Pre-wired for Radio
- Back Mirror / Side Mirror
- 2-way Pattern Control
- ROPS / FOPS Cabin
- Windshield Washer
- Air Conditioner
- Defroster
- Joystick Pilot Controls
- Arm Rests (Adjustable)
- Suspension and Reclining Seat
- Seat Belt
- PTO Switch
- Travel Automatic Dual Speed Switch
- Auto Decel Switch
- Eco Mode Switch
- Traveling Alarm
- Floor Mats
- PTO2 Circuit

*Also available without Quick Coupler.

Please note that the standard equipment may vary from this list. Consult your YANMAR dealer for confirmation.

Hydraulic PTO

Model	SV100-2A			
	Output	PSI (kPa)	GPM (L / min)	
			2,400RPM	1,050RPM
Specification				
Combined Flow, Double Actions		3,555 (24,518)	34.3 (130)	18.0 (68)

Lifting Capacity

LIFT POINT HEIGHT h:in (mm)	REACH in (mm)											
	RATED LIFT CAPACITY OVER END BLADE DOWN				RATED LIFT CAPACITY OVER END BLADE UP				RATED LIFT CAPACITY OVER SIDE BLADE DOWN			
	lbs (kg)				lbs (kg)				lbs (kg)			
	MAX	16'5" (5,000)	13'1" (4,000)	9'10" (3,000)	MAX	16'5" (5,000)	13'1" (4,000)	9'10" (3,000)	MAX	16'5" (5,000)	13'1" (4,000)	9'10" (3,000)
196.9 (5,000)	3,925 (1,780)				3,925 (1,780)				3,153 (1,430)			
157.5 (4,000)	3,947 (1,790)	3,771 (1,710)	3,837 (1,740)		3,087 (1,400)	3,771 (1,710)	3,837 (1,740)		2,558 (1,160)	3,771 (1,710)	3,925 (1,780)	
118.1 (3,000)	3,925 (1,780)	3,925 (1,780)	4,520 (2,050)		2,646 (1,200)	3,925 (1,780)	4,520 (2,050)		2,183 (990)	3,153 (1,430)	4,520 (2,050)	
78.7 (2,000)	3,947 (1,790)	4,586 (2,080)	5,468 (2,480)		2,492 (1,130)	3,616 (1,640)	5,468 (2,480)		2,029 (920)	2,911 (1,320)	4,256 (1,930)	
39.4 (1,000)	4,145 (1,880)	5,005 (2,270)	6,813 (3,090)	9,989 (4,530)	2,602 (1,180)	3,462 (1,570)	5,005 (2,270)	7,387 (3,350)	1,985 (900)	2,822 (1,280)	4,079 (1,850)	5,821 (2,640)
Ground (0)	4,079 (1,850)	5,490 (2,490)	7,078 (3,210)	10,033 (4,550)	2,690 (1,220)	3,418 (1,550)	4,741 (2,150)	7,254 (3,290)	2,183 (990)	2,756 (1,250)	3,881 (1,760)	5,799 (2,630)
-39.4 (-1,000)	4,145 (1,880)	5,226 (2,370)	6,858 (3,110)	9,415 (4,270)	2,889 (1,310)	3,352 (1,520)	4,653 (2,110)	7,321 (3,320)	2,293 (1,040)	2,734 (1,240)	3,726 (1,690)	5,733 (2,600)
-78.7 (-2,000)	4,057 (1,840)		5,865 (2,660)	8,203 (3,720)	3,418 (1,550)		4,719 (2,140)	7,078 (3,210)	2,911 (1,320)		3,793 (1,720)	5,887 (2,670)

© 2020 YANMAR America Corp. / CE-SV100-2A-0720



For parts, please visit YANMAR.com/us/products/parts/ or call 800.966.7685.